



8-CHANNEL ULTRA H.265 NVR

A professional IP recording solution for small to mid-size business applications featuring plug-and-play support up to 8 IP cameras

Features:

- + Up to 8 IP cameras can be connected
- + Powered by the MStar™ chipset that meet federal government compliance requirements
- + 80 Mbps recording capability
- + Ultra H.265/H.265/H.264 codec support
- + 1 hard drive bay @ 14TB
- + Integrated 8-port PoE switch
- + One-click Cloud firmware updating
- + **Plug-and-play setup** - utilizes power-over-ethernet (PoE) technology for an easy and flexible installation process. With PoE technology, each camera only needs a single cable run to connect it to the NVR. Install your cameras where you need them without the need for a nearby power outlet.
- + **Lower Bandwidth and Storage Usage** - supports Ultra H.265, H.265, and H.264 codecs that help reduce file size, maximize recording time and save hard drive space.
- + **Smart analytics** - this versatile recorder allows multiple selectable recording modes: intrusion, cross line, defocus, and scene change detection, along with VCA search and alert features include event search, event log, and email notification.
- + **Easy management** - an intuitive interface along with access to the free GuardViewer Mobile App and GuardViewer CMS makes management more straightforward than ever.
- + **Powered by the MStar™ chipset** - that meet federal government compliance requirements.

Protection and Warranty

All Supercircuits purchases are protected by a 30-day money-back guarantee, unlimited US-based technical support, and our 3-year warranty covers your entire purchase, with no asterisks and no exceptions.

SPECIFICATIONS

VIDEO/AUDIO INPUT

IP Video Input	8-ch
Two-way Audio Input	1-ch, RCA

NETWORK

Incoming Bandwidth	80 Mbps
Outgoing Bandwidth	64 Mbps
Remote Users	128
Protocols	P2P, UPnP, NTP, DHCP, PPPoE

VIDEO/AUDIO OUTPUT

HDMI/VGA Output	HDMI: 3840 x 2160 / 30Hz, 1920 x 1080p / 60Hz, 1920 x 1080p / 50Hz, 1600 x 1200 / 60Hz, 1280 x 1024 / 60Hz, 1280 x 720 / 60Hz, 1024 x 768 / 60Hz VGA: 1920 x 1080p / 60Hz, 1920 x 1080p / 50Hz, 1600 x 1200 / 60Hz, 1280 x 1024 / 60Hz, 1280 x 720 / 60Hz, 1024 x 768 / 60Hz
Recording Resolution	4K / 5MP / 4MP / 3MP / 1080p / 960p / 720p / D1 / 2CIF / CIF
Audio Output	1-ch, RCA
Synchronous Playback	8-ch
Corridor Mode Screen	3 / 4 / 5 / 7 / 9

DECODING

Decoding format	Ultra 265 / H.265 / H.264
Liveview/Playback	4K / 5MP / 4MP / 3MP / 1080p / 960p / 720p / D1 / 2CIF / CIF
Capability	2 x 4K @ 30 fps, 3 x 5MP @ 30 fps, 4 x 4MP @ 30 fps, 5 x 3MP @ 30 fps, 8 x 1080p @ 30 fps

HARD DISK

SATA	1 SATA interface
Capacity	Up to 10TB for each disk

SMART

VCA Detection	Face detection, Intrusion detection, Cross line detection, Audio detection, Defocus detection, Scene change detection, Auto tracking, Object Left Behind, Object Removed
VCA Search	Face search, Behavior search
Statistical Analysis	People counting

EXTERNAL INTERFACE

Network Interface	1 RJ45 10M / 100M self-adaptive Ethernet Interface
USB Interface	Rear panel: 1 x USB2.0, 1 x USB3.0

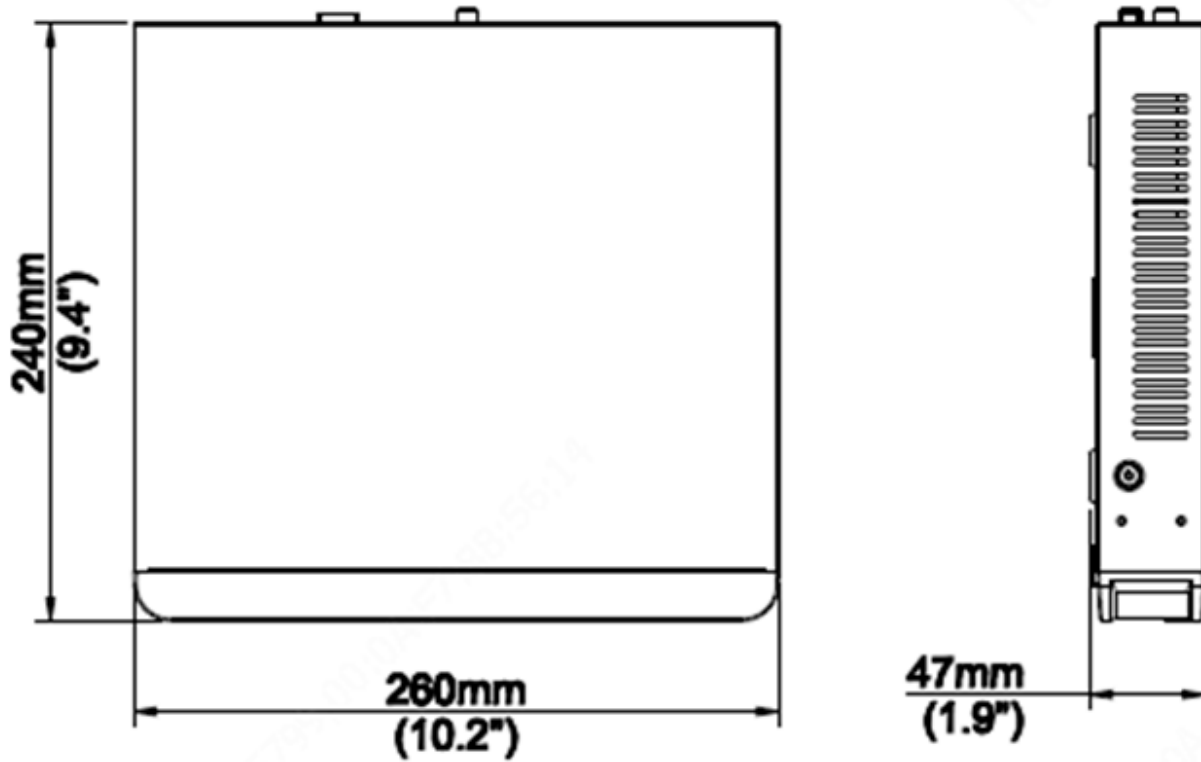
POE

Interface	8 independent 100 Mbps PoE network interfaces
Max Power	Max 30 W for single port Max 108 W in total (13.5 W for each)
Supported Standard	IEEE 802.3at, IEEE 802.3af

GENERAL

Power Supply	52 Vdc Power Consumption: ≤8 W (without HDD)
Working Environment	+14°F - +131°F (-10°C - +55°C), Relative humidity ≤ 90% (non-condensing)
Dimensions (W×D×H)	10.2" × 9.4" × 1.9" (260 × 240 × 47 mm)
Weight (without HDD)	2.20 lb. (1 kg)

DIMENSIONS



REAR PANEL

