



Powered by MStar™ chipsets that meet federal government technical requirements

4MP NETWORK 164' IR VARIFOCAL BULLET CAMERA

A durable, vandal-resistant bullet camera with autofocus varifocal lens, ideal for long-term indoor and outdoor long-range surveillance of your home or business

What's Included:

- + 4MP varifocal network bullet camera
- + Mounting template
- + Mounting hardware
- + Quick start guide

Smart Analytics Include:

- + Motion Detection
- + Tampering Alarm
- + Intrusion Detection
- + Audio Detection
- + Human Body Detection

- + **Multi-Megapixel Resolution Video** - 4MP resolution provides exceptional clarity and detail for most applications.
- + **Smart Full-Frame IR = Better Video at Night** - Advanced full-frame illumination technology helps you capture better nighttime video footage of up to 164' with more contrast and clarity.
- + **Motorized Varifocal Lens** - 2.8 - 12 mm automatic focusing and motorized zoom lens with 98.26-31.35° FOV
- + **Better Images** - IR anti-reflection window increases infrared transmittance, and 3D Digital Noise Reduction assists with pixel capture and therefore produces cleaner video.
- + **Onboard Storage Options** - This camera gives you storage flexibility with an onboard SD slot that supports up to 256GB.
- + **Lower Bandwidth and Storage Usage** - Ultra H.265 Compression technology reduces the overall requirements of the video stream, saving you bandwidth and hard drive space.
- + **Easy management** - an intuitive interface along with access to the free Guard Viewer mobile app and Guard Station CMS for straightforward management.

SPECIFICATIONS

CAMERA

Sensor	1/3", 4.0 megapixel, progressive scan, CMOS
Lens	2.8 - 12 mm, AF automatic focusing and motorized zoom lens
DORI Distance (Lens at 2.8 mm)	Detect: 206 ft. (63.0 m) Observe: 82 ft. (25.2 m) Recognize: 41 ft. (12.6 m) Identify: 20 ft. (6.3 m)
DORI Distance (Lens at 12 mm)	Detect: 885 ft. (270.0 m) Observe: 354 ft. (108.0 m) Recognize: 177 ft. (54.0 m) Identify: 88 ft. (27.0 m)
Angle of View (H)	98.26° - 31.35°
Angle of View (V)	54.76° - 18.55°
Angle of View (O)	127.74° - 36.99°
Adjustment angle	Pan: 0° - 360° Tilt: 0° - 90° Rotate: 0° - 360°
Shutter	Auto / Manual, 1 - 1/100000 s
Minimum Illumination	Color: 0.003 Lux (F1.6, AGC ON) 0 Lux with IR on
Day/Night	IR-cut filter with auto switch (ICR)
Digital noise reduction	2D / 3D DNR
S/N Ratio	> 56 dB
IR Range	Up to 164 ft. (50 m)
Wavelength	850 nm
IR On/Off Control	Auto / Manual
Defog	Digital Defog
WDR	120 dB

VIDEO

Video Compression	Ultra 265, H.265, H.264, MJPEG
H.264 code profile	Baseline profile, Main profile
Frame Rate	Main Stream: 4MP (2592*1520), Max 30 fps; 4MP (2560*1440), Max 30 fps; 3MP (2304*1296), Max 30 fps; 1080P (1920*1080), Max 30 fps Sub Stream: 4CIF (704*576), Max 30 fps Third Stream: CIF (352*288), Max 30 fps
Video Bit Rate	128 Kbps - 16 Mbps
OSD	Up to 4 OSDs
Privacy Mask	Up to 4 areas
ROI	Up to 2 areas
Motion Detection	Up to 4 areas

IMAGE

White Balance	Auto / Outdoor / Fine Tune / Sodium Lamp / Locked / Auto2
Digital noise reduction	2D / 3D DNR
Smart IR	Support
Flip	Normal / Vertical / Horizontal / 180°
Dewarping	NA
HLC	Supported
BLC	Supported

AUDIO

Audio Compression	G.711
Suppression	Supported
Sampling Rate	8 KHz

STORAGE

Edge Storage	microSD card slot, supports up to 256GB
Network Storage	ANR

SMART

Behavior Detection	Human Body Detection
--------------------	----------------------

NETWORK

Protocols	IPv4, IGMP, ICMP, ARP, TCP, UDP, DHCP, RTP, RTSP, RTCP, DNS, DDNS, NTP, FTP, UPnP, HTTP, HTTPS, SMTP, SSL
Compatible Integration	ONVIF (Profile S, Profile G, Profile T), API
Client	Guard Station CMS Guard Tools Software Guard Viewer Mobile
Web Browser	Plug-in required live view: IE9+, Chrome 41 and below, Firefox 52 and below Plug-in free live view: Chrome 57.0+, Firefox 58.0+, Edge 16+, Safari 11+

CERTIFICATIONS

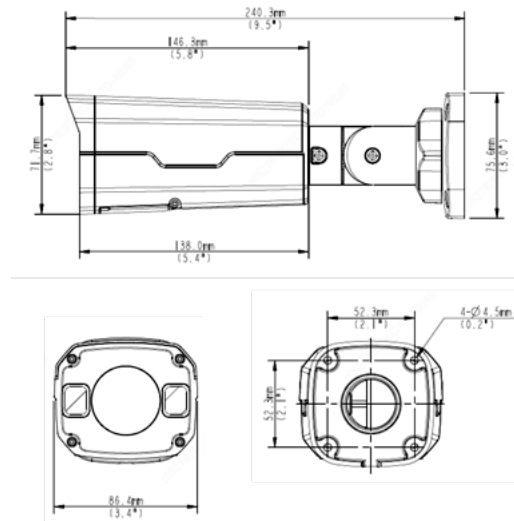
Certifications	CE: EN 60950-1 UL: UL60950-1 FCC: FCC Part 15
----------------	---

SPECIFICATIONS

GENERAL

Power	12 Vdc ±25%, PoE (IEEE 802.3af) Power consumption: Max 9.5 W
Dimensions (L × W × H)	9.5" × 3.4" × 3.0" (240.3 × 86.4 × 75.6 mm)
Net Weight	2.2 lb. (1.0 kg)
Material	Metal
Working Environment	-22°F - 140°F (-30°C - 60°C), Relative humidity: ≤95% (non-condensing)
Storage Environment	-22°F - 140°F (-30°C - 60°C), Relative humidity: ≤95% (non-condensing)
Surge Protection	6 KV
Ingress Protection	IP67

DIMENSIONS



BRACKETS & ACCESSORIES



SC-A01-IN



SC-JB06-A-IN



SC-JB07-D-IN



SC-UP06-B-IN



SC-UP06-C-IN