

Powered by MStar™ chipsets that meet federal government compliance requirements.

4.0 MP 98' IR MINI-FIXED BULLET NETWORK CAMERA

Ideal for installation in smaller spaces but features a wide field of view, allowing you to capture video in larger areas

What's Included:

- + 4.0 MP IP bullet security camera
- + Mounting template
- + Mounting hardware
- + Quick start guide

Smart Analytics Include:

- + Human Body Detection
- + Intrusion Detection
- + Motion detection
- + Tampering Alarm

- + **Multi-Megapixel Resolution Video** - 4MP resolution provides exceptional clarity and detail for most applications.
- + **Full Frame Illumination with Smart IR = Better Video at Night** - Advanced full frame illumination technology helps you capture better nighttime video footage up to 98' with more contrast and clarity.
- + **Better Images** - IR anti-reflection window increases infrared transmittance, and 3D Digital Noise Reduction assists with pixel capture and therefore produces cleaner video.
- + **Easy management** -an intuitive interface along with access to the free GuardViewer Mobile App and GuardViewer CMS makes management more straightforward than ever.

Protection and Warranty

All Supercircuits purchases are protected by a 30-day money-back guarantee, unlimited US-based technical support, and our 3-year warranty covers your entire purchase, with no asterisks and no exceptions.

SPECIFICATIONS

CAMERA

Sensor	1/3", 4.0 megapixel, progressive scan, CMOS
Lens	2.8 mm @ F2.0
DORI Distance	Detect: 206 ft. (63 m) Observe: 82 ft. (25.2 m) Recognize: 41 ft. (12.6 m) Identify: 20 ft. (6.3 m)
Angle of View (H)	104.4°
Angle of View (V)	54.4°
Angle of View (O)	135.7°
Adjustment angle	Pan: 0° - 360° Tilt: 0° - 90° Rotate: 0° - 360°
Shutter	Auto / Manual, 1 - 1/1000000 s
Minimum Illumination	Color: 0.03 Lux (F2.0, AGC ON) 0 Lux with IR on
Digital noise reduction	2D / 3D DNR
Day/Night	IR-cut filter with auto switch (ICR)
S/N Ratio	> 52 dB
IR Range	Up to 98 ft. (30 m)
Wavelength	850 nm
IR On/Off Control	Auto / Manual
Defog	Digital Defog
WDR	DWDR

VIDEO

Video Compression	Ultra 265, H.265, H.264, MJPEG
H.264 code profile	Baseline profile, Main Profile
Frame Rate	Main Stream: 4MP (2592*1520): Max. 20 fps Sub Stream: 720P (1280*720): Max. 20 fps Third Stream: D1 (720*576): Max. 20 fps
Video Bit Rate	128 Kbps - 16 Mbps
OSD	Up to 4 OSDs
Privacy Mask	Up to 4 areas
ROI	Up to 2 areas
Motion Detection	Up to 4 areas

IMAGE

White Balance	Auto / Outdoor / Fine Tune / Sodium Lamp / Locked / Auto2
Digital noise reduction	2D / 3D DNR
Smart IR	Support
Flip	Normal / Vertical / Horizontal / 180°
Dewarping	NA
HLC	Supported
BLC	Supported

SMART

Behavior Detection	Intrusion, Human Body Detection, Motion detection, Tampering alarm
Intrusion	Enter and loiter in a pre-defined virtual region

NETWORK

Protocols	IPv4, IGMP, ICMP, ARP, TCP, UDP, DHCP, RTP, RTSP, RTCP, DNS, DDNS, NTP, FTP, UPnP, HTTP, HTTPS, SMTP, SSL, QoS
Compatible Integration	ONVIF (Profile S, Profile T), API
Client	GuardViewer CMS GuardViewer Toolbox GuardViewer Mobile
Web Browser	Plug-in required live view: IE9+, Chrome 41 and below, Firefox 52 and below Plug-in free live view: Chrome 57.0+, Firefox 58.0+, Edge 16+, Safari 11+

INTERFACE

Network	10 / 100M Base-TX Ethernet
---------	----------------------------

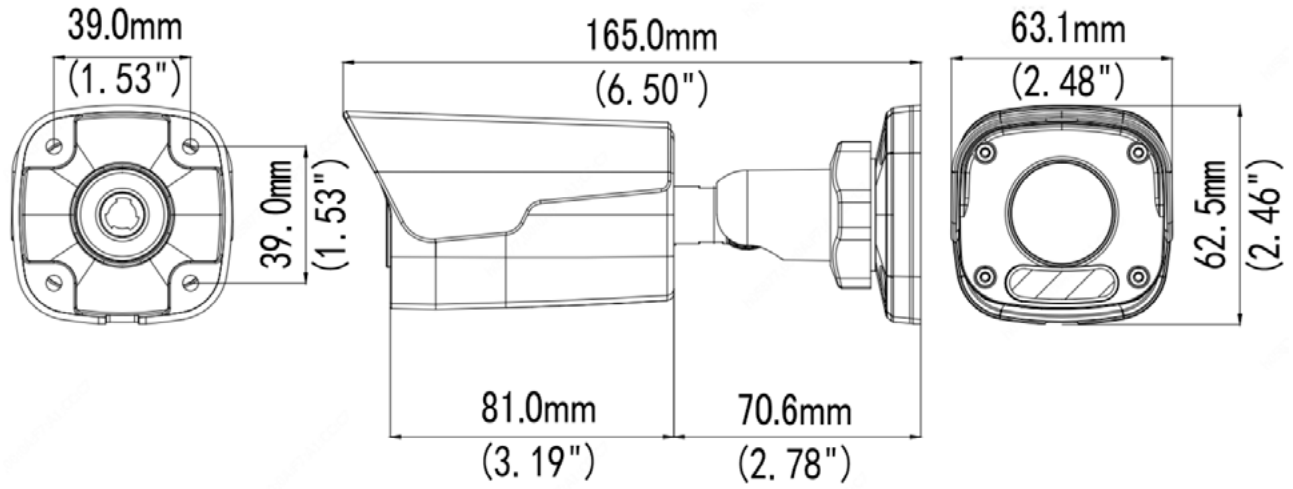
CERTIFICATIONS

Certifications	CE: EN 60950-1 UL: UL60950-1 FCC: FCC Part 15
----------------	---

GENERAL

Power	12 Vdc ±25%, PoE (IEEE802.3 af) Power consumption: Max 5 W
Dimensions (L × W × H)	6.5" × 2.5" × 2.5" (165 × 63.1 × 62.5 mm)
Net Weight	0.99 lb. (0.45kg)
Material	Sun shield: plastic Front cover: metal Body: metal Bracket: metal Bottom plate: metal
Working Environment	-22°F - 140°F (-30°C - 60°C), Relative humidity : ≤95% (non-condensing)
Storage Environment	-22°F - 140°F (-30°C - 60°C), Relative humidity : ≤95% (non-condensing)
Surge Protection	2 KV
Ingress Protection	IP67
Reset Button	Supported

DIMENSIONS



BRACKETS & ACCESSORIES



SC-A01-IN



SC-JB05-A-IN



SC-UP06-B-IN



SC-UP06-C-IN