



Powered by MStar™ chipsets that meet federal government compliance requirements.

8MP 98' IR FIXED TURRET NETWORK CAMERA

A durable, high-resolution turret camera, ideal for long-term, long-range indoor and outdoor surveillance

What's Included:

- + 8MP IP IR fixed turret security camera
- + Mounting template
- + Mounting hardware
- + Quick start guide

Smart Analytics Include:

- + Human Body Detection
- + Motion Detection
- + Intrusion Detection
- + Tampering Alarm

- + **Multi-Megapixel Resolution Video** - 8MP resolution provides exceptional clarity and detail for most applications.
- + **Smart Full-Frame IR = Better Video at Night** - Advanced full-frame illumination technology helps you capture crisp nighttime video footage up to 98' with more contrast and clarity.
- + **Better Images** - IR anti-reflection window increases infrared transmittance, and 3D Digital Noise Reduction assists with pixel capture and therefore produces cleaner video.
- + **Lower Bandwidth and Storage Usage** - Ultra H.265 Compression technology reduces the overall requirements of the video stream, saving you bandwidth and hard drive space.
- + **Easy management** -an intuitive interface along with access to the free GuardViewer Mobile App and GuardViewer CMS makes management more straightforward than ever.

Protection and Warranty

All Supercircuits purchases are protected by a 30-day money-back guarantee, unlimited US-based technical support, and our 3-year warranty covers your entire purchase, with no asterisks and no exceptions.

SPECIFICATIONS

CAMERA

Sensor	1/3", 8.0 megapixel, progressive scan, CMOS
Lens	2.8 mm @ F2.0
DORI Distance	Detect: 275 ft. (84 m) Observe: 110 ft. (33.6 m) Recognize: 55 ft. (16.8 m) Identify: 27 ft. (8.4 m)
Angle of view(H)	112.7°
Angle of View (V)	60.1°
Angle of View (O)	146.5°
Shutter	Auto / Manual, 1 - 1/100000 s
Adjustment angle	Pan: 0° - 360° Tilt: 0° - 80° Rotate: 0° - 360°
Min. Illumination	Color: 0.05 Lux (2.0, AGC ON) 0 Lux with IR
Day/Night	IR-cut filter with auto switch (ICR)
Digital noise reduction	2D / 3D DNR
S/N Ratio	> 56 dB
IR Range	Up to 98 ft. (30 m)
Wavelength	850 nm
IR On/Off Control	Auto / Manual
Defog	Digital Defog
WDR	120 dB

VIDEO

Video Compression	Ultra 265, H.265, H.264, MJPEG
H.264 code profile	Baseline Profile, Main Profile
Frame Rate	Main Stream: 8MP (3840*2160): Max. 20 fps; 5MP (2944*1656): Max. 30 fps; 4MP (2560*1440): Max. 30 fps; 2MP (1920*1080): Max. 30 fps Sub Stream: 720P (1280*720): Max. 20 fps Third Stream: 4CIF (704*576): Max. 20 fps
Video Bit Rate	128 Kbps - 16 Mbps
OSD	Up to 4 OSDs
Privacy Mask	Up to 4 areas
ROI	Up to 2 areas
Motion Detection	Up to 4 areas

IMAGE

White Balance	Auto / Outdoor / Fine Tune / Sodium Lamp / Locked / Auto2
Digital noise reduction	2D / 3D DNR
Smart IR	Supported
Flip	Normal / Vertical / Horizontal / 180°
Dewarping	NA
HLC	Supported
BLC	Supported

SMART

Behavior Detection	Human Body Detection
--------------------	----------------------

NETWORK

Protocols	IPv4, IGMP, ICMP, ARP, TCP, UDP, DHCP, RTP, RTSP, RTCP, DNS, DDNS, NTP, FTP, UPnP, HTTP, HTTPS, SMTP, SSL, QoS
Compatible Integration	ONVIF (Profile S+ Profile T), API
Client	GuardViewer CMS GuardViewer Toolbox GuardViewer Mobile
Web Browser	Plug-in required live view: IE9+, Chrome 41 and below, Firefox 52 and below Plug-in free live view: Chrome 57.0+, Firefox 58.0+, Edge 16+, Safari 11+

INTERFACE

Network	10 / 100M Base-TX Ethernet
---------	----------------------------

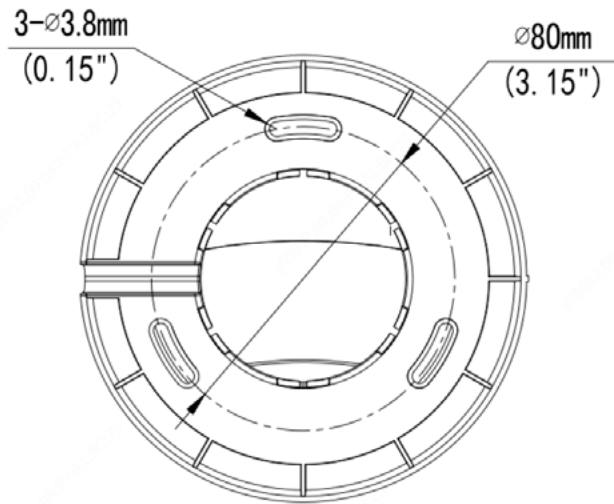
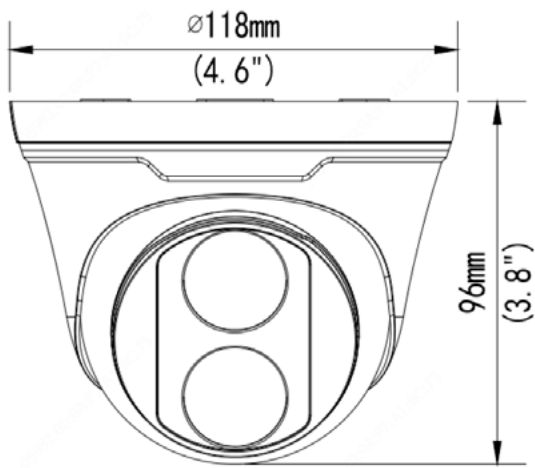
CERTIFICATIONS

Certifications	CE: EN 60950-1 UL: UL60950-1 FCC: FCC Part 15
----------------	---

GENERAL

Power	12 Vdc ± 25%, PoE (IEEE802.3 af) Power consumption: Max 5 W
Dimensions (Ø x H)	4.6" Dia. × 3.8" (118 × 96 mm)
Net Weight	0.73 lb. (0.33 kg)
Material	Front cover: metal Rear cover: plastic Bracket: plastic Bottom plate: metal
Working Environment	-22°F - 140°F (-30°C - +60°C), Humidity: ≤ 95% RH (non-condensing)
Storage Environment	-22°F - 140°F (-30°C - +60°C), Humidity: ≤ 95% RH (non-condensing)
Surge Protection	2 KV
Ingress Protection	IP67

DIMENSIONS



BRACKETS & ACCESSORIES



SC-UP06-IN



SC-CM24-IN



SC-SE24-IN



SC-WM03-D-IN



SC-JB07/WM03-G-IN



SC-JB03-I-IN



SC-A01-IN



SC-SE24-A-IN