



Powered by MStar™ chipsets that meet federal government compliance requirements.

---

## 4MP 98' IR FIXED TURRET NETWORK CAMERA

A durable, fixed turret camera, ideal for long-term indoor and outdoor long-range surveillance

### What's Included:

- + 4MP IP dome security camera
- + Mounting template
- + Mounting hardware
- + Quick start guide

### Smart Analytics Include:

- + Human Body Detection
- + Motion Detection
- + Intrusion Detection
- + Tampering Alarm

- + **Multi-Megapixel Resolution Video** - 4MP resolution provides exceptional clarity and detail for most applications.
- + **Smart Full-Frame IR = Better Video at Night** - Advanced full-frame illumination technology helps you capture up to 98' of night time video footage with more contrast and clarity.
- + **Better Images** - IR anti-reflection window increases infrared transmittance, and 3D Digital Noise Reduction assists with pixel capture and therefore produces cleaner video.
- + **Lower Bandwidth and Storage Usage** - Ultra H.265 Compression technology reduces the overall requirements of the video stream, saving you bandwidth and hard drive space.
- + **Easy management** - an intuitive interface along with access to the free GuardViewer Mobile App and GuardViewer CMS makes management more straightforward than ever.

### Protection and Warranty

All Supercircuits purchases are protected by a 30-day money-back guarantee, unlimited US-based technical support, and our 3-year warranty covers your entire purchase, with no asterisks and no exceptions.

---

# SPECIFICATIONS

## CAMERA

Sensor	1/3", 4.0 megapixel, progressive scan, CMOS
Lens	2.8 mm @ F2.0
DORI Distance	Detect: 206 ft. (63 m) Observe: 68 ft. (25.2 m) Recognize: 41 ft. (12.6 m) Identify: 20 ft. (6.3 m)
Angle of view (H)	104.4°
Angle of View (V)	54.4°
Angle of View (O)	135.7°
Adjustment angle	Pan: 0° - 360° Tilt: 0° - 80° Rotate: 0° - 360°
Shutter	Auto / Manual, 1 - 1/1000000 s
Min. Illumination	Color: 0.03 Lux (F2.0, AGC ON) 0 Lux with IR
Digital noise reduction	2D / 3D DNR
Day/Night	IR-cut filter with auto switch (ICR)
S/N Ratio	> 52 dB
IR Range	Up to 98 ft. (30 m)
Wavelength	850 nm
IR On/Off Control	Auto / Manual
Defog	Digital Defog
WDR	DWDR

## VIDEO

Video Compression	Ultra265, H.265, H.264, MJPEG
H.264 code profile	Baseline profile, Main Profile
Frame Rate	Main Stream: 4MP (2592*1520), Max 20 fps Sub Stream: 720P (1280*720), Max 20 fps Third Stream: D1 (720*576), Max 20 fps
Video Bit Rate	128 Kbps - 16 Mbps
OSD	Up to 4 OSDs
Privacy Mask	Up to 4 areas
ROI	Up to 2 areas
Motion Detection	Up to 4 areas

## IMAGE

White Balance	Auto / Outdoor / Fine Tune / Sodium Lamp / Locked / Auto2
Digital noise reduction	2D / 3D DNR
Smart IR	Support
Flip	Normal / Vertical / Horizontal / 180°
Dewarping	NA
HLC	Supported
BLC	Supported

## SMART

Behavior Detection	Intrusion, Human Body Detection, Motion detection, Tampering alarm
Intrusion	Enter and loiter in a pre-defined virtual region

## NETWORK

Protocols	IPv4, IGMP, ICMP, ARP, TCP, UDP, DHCP, RTP, RTSP, RTCP, DNS, DDNS, NTP, FTP, UPnP, HTTP, HTTPS, SMTP, SSL, QoS
Compatible Integration	ONVIF (Profile S, Profile T), API
Client	GuardViewer CMS GuardViewer Toolbox GuardViewer Mobile
Web Browser	Plug-in required live view: IE9+, Chrome 41 and below, Firefox 52 and below Plug-in free live view: Chrome 57.0+, Firefox 58.0+, Edge 16+, Safari 11+

## INTERFACE

Network	10 / 100M Base-TX Ethernet
---------	----------------------------

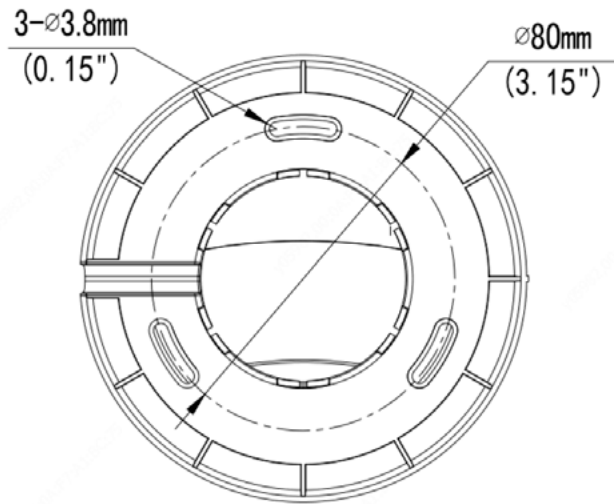
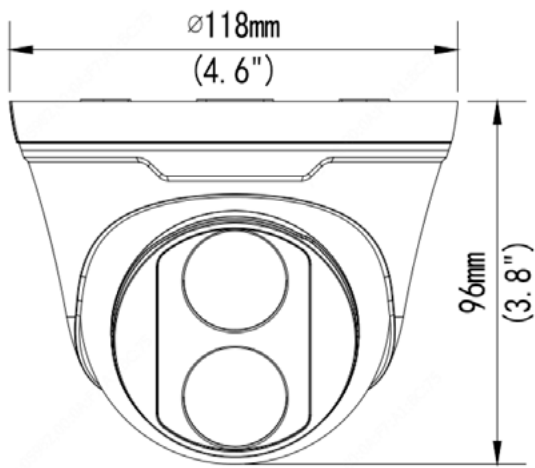
## CERTIFICATIONS

Certifications	CE: EN 60950-1 UL: UL60950-1 FCC: FCC Part 15
----------------	---

## GENERAL

Power	12 Vdc ±25%, PoE (IEEE 802.3af)  Power consumption: Max 4 W
Dimensions (Ø x H)	Ø4.6" x 3.8" (Ø118 x 96 mm)
Net Weight	0.77 lb. (0.35 kg)
Material	Front cover: metal Rear cover: plastic Bracket: plastic Bottom plate: metal
Working Environment	-22°F - 140°F (-30°C - 60°C), Relative humidity: ≤95% (non-condensing)
Storage Environment	-22°F - 140°F (-30°C - 60°C), Relative humidity: ≤95% (non-condensing)
Surge Protection	2 KV
Ingress Protection	IP67

## DIMENSIONS



## BRACKETS & ACCESSORIES



SC-A01-IN



SC-UP06-IN



SC-CM24-IN



SC-SE24-IN



SC-SE24-A-IN



SC-WM03-D-IN



SC-JB07/WM03-G-IN



SC-JB03-I-IN