



Powered by MStar™ chipsets that meet federal government compliance requirements.

2MP 98' IR FIXED TURRET NETWORK CAMERA

A durable, fixed turret camera, ideal for long-term indoor and outdoor surveillance

What's Included:

- + 2MP IP Turret Security Camera
- + Mounting template
- + Mounting hardware
- + Quick start guide

Smart Analytics Include:

- + Human Body Detection
- + Motion Detection
- + Intrusion Detection
- + Tampering Alarm

- + **Multi-Megapixel Resolution Video** - 2MP resolution provides exceptional clarity and detail for most applications.
- + **Smart Full-Frame IR = Better Video at Night** - Advanced full-frame illumination technology helps you capture better nighttime video footage up to 98' with more contrast and clarity.
- + **Better Images** - IR anti-reflection window increases infrared transmittance, and 3D Digital Noise Reduction assists with pixel capture and therefore produces cleaner video.
- + **Lower Bandwidth and Storage Usage** - Ultra H.265 Compression technology reduces the overall requirements of the video stream, saving you bandwidth and hard drive space.
- + **Easy management** - an intuitive interface along with access to the free GuardViewer Mobile App and GuardViewer CMS makes management more straightforward than ever.

Protection and Warranty

All Supercircuits purchases are protected by a 30-day money-back guarantee, unlimited US-based technical support, and our 3-year warranty covers your entire purchase, with no asterisks and no exceptions.

SPECIFICATIONS

CAMERA

| | |
|-------------------|---|
| Sensor | 1/2.7", 2.0 megapixel, progressive scan, CMOS |
| Lens | 2.8 mm @ F2.0 |
| DORI Distance | Detect: 153 ft. (46.7 m) Observe: 61 ft. (18.7 m) Recognize: 30 ft. (9.3 m) Identify: 15 ft. (4.7 m) |
| Angle of view (H) | 112.7° |
| Angle of View (V) | 60.1° |
| Angle of View (O) | 146.5° |
| Shutter | Auto / Manual, 1 - 1/1000000 s |
| Adjustment angle | Pan: 0° - 360° Tilt: 0° - 80° Rotate: 0° - 360° |
| Min. Illumination | Color: 0.02 Lux (F2.0, AGC ON) 0 Lux with IR |
| Day/Night | IR-cut filter with auto switch (ICR) |
| S/N Ratio | > 52 dB |
| IR Range | Up to 98 ft. (30 m) |
| Wavelength | 850 nm |
| IR On/Off Control | Auto / Manual |
| Defog | Digital Defog |
| WDR | Supported |
| Noise Reduction | 2D / 3D |

VIDEO

| | |
|--------------------|---|
| Max. Resolution | 1920*1080 |
| Video Compression | Ultra 265, H.265, H.264, MJPEG |
| H.264 code profile | Baseline profile, Main Profile |
| Frame Rate | Main Stream: 1080P (1920*1080), Max 30 fps Sub Stream: 720P (1280*720), Max 30 fps Third Stream: CIF (352*288), Max 30 fps |
| Video Bit Rate | 128 Kbps - 16 Mbps |
| OSD | Up to 4 OSDs |
| Privacy Mask | Up to 8 areas |
| ROI | Up to 2 areas |
| Motion Detection | Up to 4 areas |

IMAGE

| | |
|-------------------------|---|
| White Balance | Auto / Outdoor / Fine Tune / Sodium Lamp / Locked / Auto2 |
| Digital noise reduction | 2D / 3D DNR |
| Smart IR | Support |
| Flip | Normal / Vertical / Horizontal / 180° |
| Dewarping | Supported |
| HLC | Supported |
| BLC | Supported |

SMART

| | |
|--------------------|--|
| Behavior Detection | Intrusion, Human Body Detection, Motion detection, Tampering alarm |
| Intrusion | Enter and loiter in a pre-defined virtual region |

NETWORK

| | |
|------------------------|--|
| Protocols | IPv4, IGMP, ICMP, ARP, TCP, UDP, DHCP, RTP, RTSP, RTCP, DNS, DDNS, NTP, FTP, UPnP, HTTP, HTTPS, SMTP, SSL, QoS |
| Compatible Integration | ONVIF (Profile S, Profile T), API |
| Client | GuardViewer CMS GuardViewer Toolbox GuardViewer Mobile |
| Web Browser | Plug-in required live view: IE9+, Chrome 41 and below, Firefox 52 and below Plug-in free live view: Chrome 57.0+, Firefox 58.0+, Edge 16+, Safari 11+ |

INTERFACE

| | |
|---------|----------------------------|
| Network | 10 / 100M Base-TX Ethernet |
|---------|----------------------------|

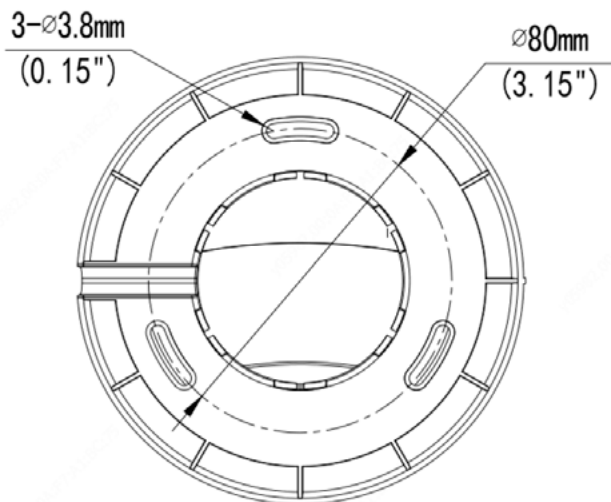
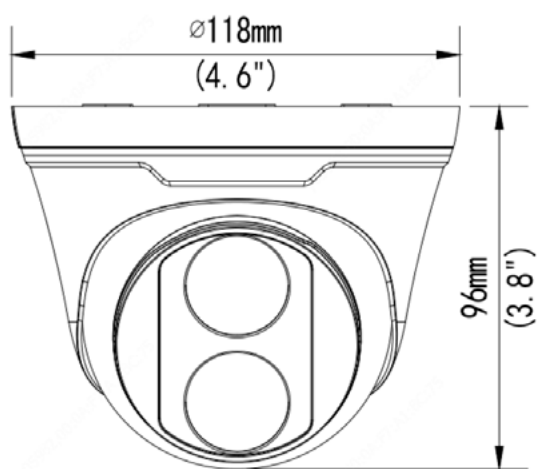
CERTIFICATIONS

| | |
|----------------|---|
| Certifications | CE: EN 60950-1 UL: UL60950-1 FCC: FCC Part 15 |
|----------------|---|

GENERAL

| | |
|---------------------|--|
| Power | 12 Vdc ±25%, PoE (IEEE 802.3af) Power consumption: Max 4.5 W |
| Dimensions (Ø x H) | Ø4.6" x 3.8" (Ø 118 x 96 mm) |
| Net Weight | 0.44 lb. (0.2 kg) |
| Material | Front cover: metal Rear cover: plastic Bracket: plastic Bottom plate: plastic |
| Working Environment | -4°F - 122°F (-20°C - 50°C), Relative humidity: ≤95% (non-condensing) |
| Storage Environment | -4°F - 122°F (-20°C - 50°C), Relative humidity: ≤95% (non-condensing) |
| Surge Protection | 2 KV |
| Ingress Protection | IP67 |

DIMENSIONS



BRACKETS & ACCESSORIES



SC-A01-IN



SC-CM24-IN



SC-JB03-I-IN



SC-JB07/WM03-G-IN



SC-SE24-IN



SC-SE45-A-IN



SC-UP06-IN



SC-WM03-D-IN