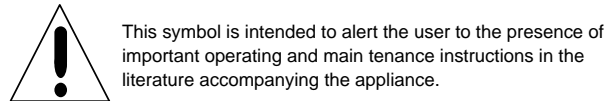
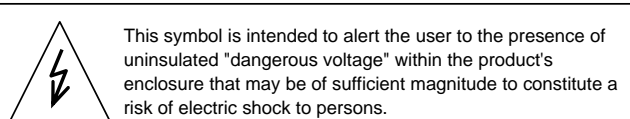


INSTRUCTION MANUAL

Vandal-Proof Dome Color Camera

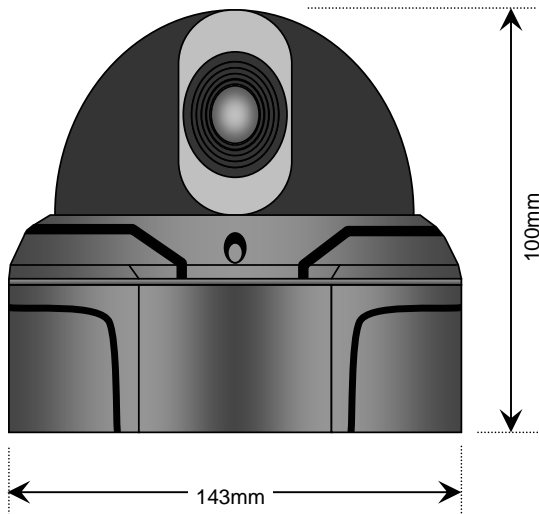


CAUTION : TO REDUCE THE RISK OF ELECTRIC SHOCK,
DO NOT REMOVE COVER (OR BACK)
NOT USE A SERVICEABLE PARTS INSIDE
REFER SERVICING TO QUALIFIED SERVICE PERSONNEL

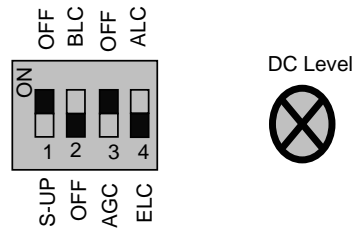


WARNING : TO REDUCE THE RISK OF FIRE OR ELECTRIC SHOCK
DO NOT EXPOSE THIS APPLIANCE TO RAIN OR MOISTURE

Dimensions



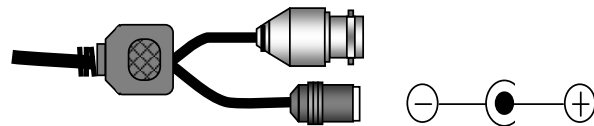
Function



Dip Switch

1. S-UP(DNR) on, OFF Selectable.
2. BLC ON, OFF Selectable.
3. AGC ON, OFF Selectable.
4. ELC, ALC Selectable.

Connection



Specification



CAUTION :Please Use Regulated Power Supply
12VDC 500mA,24VAC200mA

		CD36DP	
TV SYSTEM		NTSC	PAL
NO. OF PIXELS	H	768	752
	V	494	582
SCANNING FREQUENCY	H	15.734 KHz	15.625 KHz
	V	59.94 Hz	50 Hz
HORIZONTAL RESOLUTION		Color : 550 TV Lines	Color : 550 TV Lines
SHUTTER SPEED		1/60 ~ 1/120,000 sec	1/50 ~ 1/120,000 sec
IMAGE PICK-UP DEVICE		1/3" Sony Super HAD Color CCD	
SCANNING SYSTEM		2:1 Interlaced	
SYNC. SYSTEM		Internal	
S/N RATIO (AGC off)		More than 50 db (AGC OFF)	
MIN. SENSITIVITY (SENSE UP OFF)		0.1 Lux - at F : 1.4	
MIN. SENSITIVITY (SENSE UP ON)		0.002 Lux - at F : 1.4	
GAMMA CORRECTION		0.45 Approx	
GAIN CONTROL		Automatic	
VIDEO OUTPUT		Composite Video 1.0Vp-p/75Ohm	
LENS		Varifocal Auto DC Iris Lens (3.3 ~ 12mm)	
POWER SOURCE		DC 12V 300mA, AC 24V 150mA Regulated Power Supply	
POWER CONSUMPTION		Max 4 W	
OPERATING TEMP.		-10°C - +50°C	
DIMENSIONS / MM		143mm(D) x 100mm(L)	
WEIGHT		910g	