

INSTRUCTION MANUAL

Vandal-Proof Dome IR TDN Color Camera

CAUTION

RISK OF ELECTRIC SHOCK
DO NOT OPEN

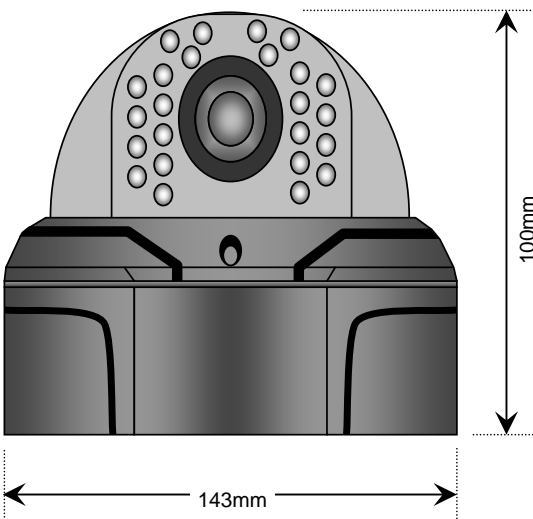
CAUTION : TO REDUCE THE RISK OF ELECTRIC SHOCK,
DO NOT REMOVE COVER (OR BACK)
NOT USE A SERVICEABLE PARTS INSIDE
REFER SERVICING TO QUALIFIED SERVICE PERSONNEL

This symbol is intended to alert the user to the presence of uninsulated "dangerous voltage" within the product's enclosure that may be of sufficient magnitude to constitute a risk of electric shock to persons.

This symbol is intended to alert the user to the presence of important operating and main tenance instructions in the literature accompanying the appliance.

**WARNING : TO REDUCE THE RISK OF FIRE OR ELECTRIC SHOCK
DO NOT EXPOSE THIS APPLIANCE TO RAIN OR MOISTURE**

Dimensions



Function

VIDEO
ALC
OFF
OFF

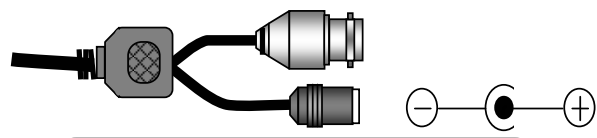
DC
ELC
AGC
BLC

DC Level

Dip Switch

1. DC, VIDEO Auto Iris Lens Selectable.
2. ELC, ALC Selectable.
3. AGC ON, OFF Selectable.
4. BLC ON, OFF Selectable.

Connection



Specification

CAUTION :
Please Use Regulated
Power Supply 12VDC 1A

		CD34IR-HR	
		NTSC	PAL
TV SYSTEM		NTSC	PAL
NO. OF PIXELS	H	768	752
	V	494	582
SCANNING FREQUENCY	H	15.734 KHz	15.625 KHz
	V	59.94 Hz	50 Hz
HORIZONTAL RESOLUTION		Color : 550 TV Lines B/W : 590 TV Line	Color : 550 TV Lines B/W : 590 TV Line
SHUTTER SPEED		1/60~1/100,000 sec	1/50~1/100,000 sec
IMAGE PICK-UP DEVICE		1/3" Sony Super HAD Color CCD	
SCANNING SYSTEM		2:1 Interlaced	
SYNC. SYSTEM		Internal	
S/N RATIO (AGC off)		More than 48 dB	
MIN. SENSITIVITY		0.1 Lux / 50IRE - at F : 1.4	
GAMMA CORRECTION		0.45 Approx	
GAIN CONTROL		Automatic	
VIDEO OUTPUT		Composite Video 1.0Vp-p/75Ohm	
LENS		Varifocal Auto DC Iris Lens (4 ~ 9mm)	
POWER SOURCE		DC12V 1A Regulated Power Supply	
POWER CONSUMPTION		4.0 Wat Nomal, 7W at IR ON	
OPERATING TEMP.		-10°C - +50°C	
DIMENSIONS / MM		143mm(D) x 100mm(L)	
WEIGHT		1100g	