



ACM-7411

Megapixel IP Rugged Dome Camera

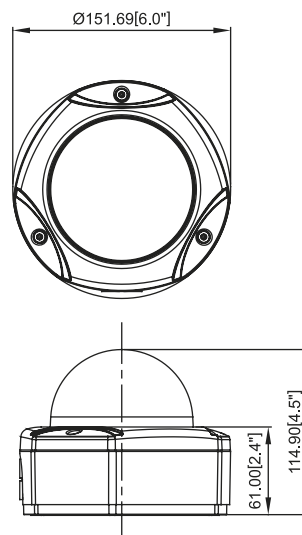


- 1/3" Micron Progressive Scan CMOS
- Day and night function with Mechanical IR Cut Filter
- Integrated f3.3~12 mm / F1.6 Megapixel varifocal lens
- 0.05 Lux at F1.0
- Selectable MPEG-4 SP / MJPEG compression
- Up to SXGA resolution at 8 FPS
- Multi-stream with variable frame rate in the same compression
- Shutter Speed, White Balance, Exposure, Gain Controls supported
- Two-way audio supported
- Hardware motion detection, Digital Input / Output
- DC 12V or Power over Ethernet (IEEE 802.3af) supported
- Heavy-duty, weatherproof and vandal proof with IP66 protection
- Surface / Pendant / Wall / Corner / Pole / Flush mount supported



- ① Ethernet Port
- ② DC 12V Power Input
- ③ Reset Button
- ④ Audio & Digital Input / Output

DIMENSION DIAGRAM



Unit: mm [inch]



PRODUCT SPECIFICATION

		ACM-7411
Image	Device	Micron Progressive Scan CMOS
	Size	1/3 inch
	Effective Pixels	1280(H) x 1024(V)
Min. Scene Illumination	Color	Color mode automatically switched to B/W mode under 4 Lux
	B/W	0.05 Lux at F1.0 (2400 °K, 30 IRE)
	CDS Sensor	Yes
	IR Sensitivity	from 700 nm to 1100 nm
Lens	Focal Length	f3.3 ~ 12 mm / F1.6
	Viewing Angle	83° ~ 23.8° (Horizontal)
Camera Angle Adjustment	X (Panning)	0° ~360°
	Y (Tilting)	0° ~180°
	Z (Rotating)	0° ~360°
Synchronization	Sync. System	Internal
Day/Night Functions	Mechanical IR Cut Filter	Yes
	Motion Detection	Yes (3 Windows)
Functions	Electronic Shutter	1/5 ~ 1/15,000 sec
	Fixed Shutter (Manual)	1/30 ~ 1/1,000 sec. (60Hz); 1/25 ~ 1/1,000 sec. (50Hz)
	Flickerless	1/120 sec. (60Hz); 1/100 sec. (50Hz)
	AGC	Automatic (User defined)
	White Balance	AUTO, INDOOR1, INDOOR2, OUTDOOR1, OUTDOOR2, HOLD CURRENT, MANUAL
S/N Ratio	S/N Ratio	Better than 44 dB
Video Compression	Compression	MPEG-4 SP, MJPEG selectable
	Picture Resolution	SXGA (1280x1024); HD720 (1280x720); VGA (640x480); QVGA (320 x 240); QQVGA (160 x 112)
	Bit Rate	28K ~ 3M bps
	Image Frame Rate	8 fps at SXGA; 10 fps at HD720; 30 fps at VGA; 30 fps at QVGA; 30 fps at QQVGA
Audio Input	Compression	8kHz, Mono, PCM
	Audio Line Input	Unbalanced, 1.4Vp-p, 1Vrms, terminal block
Audio Output	Compression	8kHz, Mono, PCM
	Audio Line Output	Unbalanced, 1.4Vp-p, 1Vrms, terminal block
Alarm	Digital Input	1, TTL, terminal block
	Digital Output	1, TTL, terminal block
External I/O	Reset Button	Factory default
	LED	System status
Casing	IP66 Rated	Weatherproof casing with IP66 standard
	Vandal Proof	Durability up to 659.23 KgF
	Mount Types	Surface / Pendant* / Wall* / Corner* / Pole* / Flush*
Network	Ethernet Port	Ethernet (10/100 Base-T), RJ-45 Connector
	Protocol	TCP, UDP, HTTP, HTTPS, DHCP, PPPoE, RTP, RTSP, DNS, DDNS, NTP, ICMP, ARP, IGMP, SMTP, FTP, UPnP
Software	Web Browser	Microsoft Internet Explorer 6.0 or above
	SDK	ACTi SDK-10000
	Security	Password protection: configured by the administrator
Operating	Heater / Fan	Yes (built-in)
	Temperature	-30 °C ~ 50 °C (-22 °F ~ 122 °F) for DC 12V; -5 °C ~ 50 °C (7 °F ~ 122 °F) for PoE
	Power Requirement	PoE (IEEE802.3af) with Class 3
Power	Power Consumption	2.64 W (DC 12V) w/o Heater & Fan
		11.52 W (DC 12V) w/ Heater On & Fan On
		4.8 W (PoE) w/o Heater & Fan
		5.76 W (PoE) w/ Fan ON**
Physical	Dimensions (ØxH)	151.69 mm x 114.9 mm (6.0" x 4.5")
	Weight	1040 g (2.29 lb)
Approvals	Certificate	CE, FCC, IP66

ACCESSORY OPTIONS

Dome Cover	Mount Kit	Mounting Configuration*
• Smoke Cover PDCX-1101	• Mount Kit • L Type Wall Mount Kit • Flush Mount Kit	• Pendant Mount • Wall Mount • Corner Mount • Pole Mount • Flush Mount
	PMAX-0101 PMAX-0308 PMAX-1003	

*Sold separately. Please refer to detailed mounting configuration table in the accessory section or Project Planner on ACTi.com

**PoE cannot support Heater