



BLK-CWD128VH High Resolution Dome Camera

KEY FEATURES

- Advanced Pixim chipset delivers a super sharp 550 lines of resolution with a minimum illumination of 0.1 lux low light (0.003 B&W)
- Premium ADL 2.9-10mm varifocal, auto-iris zoom lens allows you to adjust your camera to achieve the exact field of view you need
- 4x digital zoom allows you to narrow your field of view to look more closely at a targeted area, while saving on storage space and maintaining an accurate focus
- Wide Dynamic Range (WDR) enables the camera to deliver video with near perfect exposure in the harshest of lighting conditions

Advanced features include a Pixim chipset and WDR technology for outdoor applications with extreme lighting conditions

The BLK-CWD128VH is a high resolution outdoor Pixim wide dynamic range dome camera, featuring an advanced Pixim chipset that delivers a crisp 550 lines resolution with a minimum illumination of 0.5 lux. This camera offers several advanced features, including a built-in premium ADL 2.9-10mm varifocal, auto-iris zoom lens which allows you to adjust your camera to achieve the exact field of view you need, 4x digital zoom that allows you to look more closely at a targeted area, and digital day/night to deliver sharper images under low light conditions. Other features include UTP, DNR, OSD, DSS, and built-in Motion Detection for enhanced performance and greater flexibility.

Our SC BLACK dome camera designs are based on direct feedback from our customers to deliver the ultimate in simplicity and convenience, saving you valuable time and money. All dome cameras come standard with a unique 3-part housing construction, a true 3-axis gimble, a pre-installed lanyard that securely holds the dome cover so you never drop it again, and feature a second video out (RCA) on the board for easy camera testing and adjustment.

Our SC BLACK dome cameras are intelligently designed to accommodate customers looking to private label our products – a great way to build customer loyalty, market your organization, and stand out in the marketplace.

All SC BLACK cameras offer 5-year warranties, and are backed by unparalleled lifetime support from the SC Direct Support Team.

To speak with a trained sales consultant dedicated to serving your region, contact us at **1-877-5SC-BLACK** or visit our website at **www.sc-black.com**





BLK-CWD128VH

High Resolution Dome Camera

Core Features & Benefits

Chipset – Pixim 1/3" CMOS delivers 540 lines of resolution with a minimum illumination of 0.1 lux.

Lens – Varifocal 2.9-10mm DC auto-iris lens.

Warranty – All SC BLACK cameras come standard with a 5-year warranty and 30-day money-back guarantee.

Available Options

The following options and accessories are available for this camera:

- Dome rings and housings available in white (standard) or black (special order)
- Dome options available include clear with mask (standard) or smoke (special order)
- Pendant mount/wall mount/ceiling mount



BLK-DOMERING Blank ring for indoor SC BLACK dome cameras



BLK-CEILING Ceiling mount for SC BLACK dome cameras

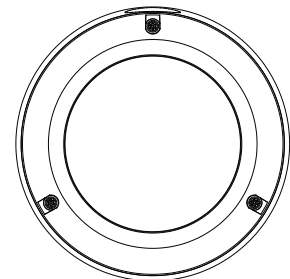
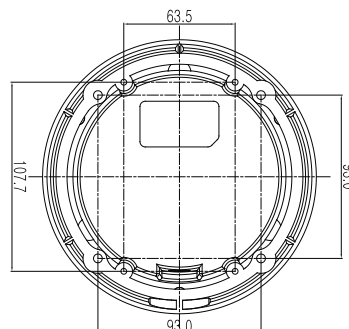
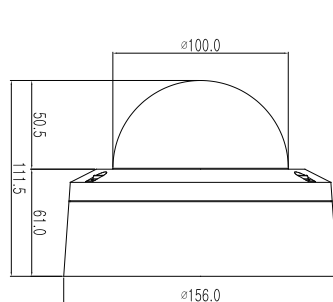


BLK-RIGHT Heavy-duty diecast right angle bracket for SC BLACK dome cameras

Specifications

Image Sensor	1/3" Pixim CMOS
Effective pixels	NTSC: 720(H) x 540(V)
Horizontal Resolution	540 TVL
Lens	2.9-10mm DC auto iris
Minimum Illumination	0.1 lux 40IRE (F1.2)
Day/Night Function	Color/Black & White/Auto
S/N Ratio	52dB
Camera Control & Setup	On Screen Display
Wide Dynamic Range	120dB (max), 102dB (typical)
Sync	Internal/Line lock
Electronic Shutter Speed	AUTO / MANUAL(1/60-1/120,000)
Digital Noise Reduction	OFF/AUTO
Gain Control	On/Off Selectable (0-46dB)
Backlight Compensation	On/Off Selectable
Auto Exposure	On/Off Switchable
White Balance	ATW / AWB / FIXED / MANUAL(1,800°K-10,500°K)
Video Output	BNC 1.0Vp-p, 75ohm load, 2nd BNC standard
Operating Temp	-10°C ~ +50°C / 30-90% RH
Power Requirement	170mA(AC24V)/230mA(DC12V)
Mounting Options	Surface & flush (standard)
Weather Rating	IP66
Dimensions	60mm (H) x 147mm (D)

Dimensions



For order assistance, questions and inquiries, please contact one of our sales consultants at: 1-877-5SC-BLACK or through email at sales@sc-black.com, or please feel free to browse our website at www.sc-black.com.

SC Black is a registered trademark of Supercircuits. Copyright © 2008 Supercircuits, Inc. All rights reserved. www.sc-black.com

BLK-CWD128VH

High Resolution Dome Camera



Design Features & Benefits



TRUE 3-Axis Gimbal – SC Black domes also feature a true 3-axis gimbal, allowing you to mount the dome virtually anywhere (wall or ceiling) and position the camera at any angle to achieve the field of view you desire. Regardless of the mounting angle, the camera is intelligently designed to maintain the same distance from the dome cover so your image is never distorted.



Pre-Installed Lanyard – All SC Black domes feature a pre-installed lanyard, holding the dome cover so you never drop your dome cover again, and have two hands free to make necessary camera adjustments.



Second Video Out – All SC Black domes feature a second video out (RCA) on the board, allowing you to use a test monitor to adjust your camera without having to disconnect the camera from your security system. This will save valuable time and labor, as the cameras can be completely set up by a single installer at the point of installation. Additionally, this feature will insure that your cameras won't lose focus as you disconnect your test monitor and re-connect the camera to your security system.



Joystick Driven OSD – All SC Black domes offer OSD, which can be operated by an on-board joystick with the touch of a finger – saving you valuable time & labor costs.



Flush Mount



Surface Mount



Flush & Surface Mount - SC Black domes feature a unique 3-part housing construction. Every camera can be either surface or flush mounted – it's your choice. What's more, the base of all of our dome housings is conveniently constructed to act as back-bracket for flush mounting the camera on the ceiling.

Adjustable Dome – The physical dome on all SC Black dome cameras can be rotated after the camera has been positioned without having to unscrew the housing, for instant re-positioning of cameras with little effort.

Dome Mask – All SC Black domes come standard with an internal black masking sleeve, allowing you disguise where your camera is aimed without distorting your image. Smoke dome options are also available.

Auto Sensing Dual Voltage – Never fry your camera again. All SC Black domes come equipped with auto-sensing dual voltage to accept 12V DC or 24V AC power input, for flexible and mistake-proof installations.



BLK-CWD128VH

High Resolution Dome Camera

Advanced Features

UTP – Built in UTP (also called video balun) allows you to send video over longer distances, allowing you to position your cameras further away from the recording device without losing quality of your video signal. While a standard analog camera can deliver signal up to approximately 300' over a standard CAT5 cable, UTP extends transmission capabilities up to 750'. UTP also allows you to use CAT5 cable (instead of co-axial cable) for longer runs, resulting in an easier installation due to the smaller wire size and a significant cost savings for larger jobs.



No DNR



With DNR

DNR – There are several benefits to Digital Noise Reduction (DNR) technology. First, DNR delivers a cleaner

signal, resulting in up to 70% disk space savings - so you can store more video evidence on your hard drive. Next, cameras equipped with DNR technology deliver a more visually appealing image, making it easier to identify suspects. Finally, DNR technology makes it easier for your camera to distinguish between true motion and image noise – allowing for your DVR to be more efficient in motion detection – especially in low light conditions.



No DSS



DSS Enabled

DSS – Digital Slow Shutter (DSS) allows you to see clear images in extreme low light conditions without the need for

artificial illumination. DSS technology enables very low light capabilities by slowing down shutter speed to allow more light to be collected by the CCD. The user can adjust these settings to specify conditions that engage this feature automatically.

Motion Detection – The Motion Detection feature allows you to integrate your cameras with external devices to engage that device upon the detection of motion. Common devices include security lights, alarms, access control devices, and more.

OSD – A camera's On Screen Display (OSD) allows you to fine tune virtually every setting of your camera to achieve the best possible image quality. Without OSD, you are dependent upon the factory settings of the camera, and subject to any impact to the camera experienced during delivery or installation.



Daytime



Nighttime

True Day/Night
- True day/night (also referred to as mechanical day/night) improves low light sensitivity, delivers a sharper

image in low light conditions, and enables the camera to see in the dark with the help of external IR illuminators.



Underexposed



Overexposed



Perfect Exposure

WDR – Wide dynamic range (WDR) enables the camera to deliver video with near perfect exposure in the harshest of lighting conditions. WDR cameras are ideal for challenging lighting situations, such as doorways or windows to the outside, looking into car headlights, or any application looking into a direct light source. Ideal in opposite conditions, looking from a well lit area into a darker area.

Weatherproof IP67 Rated – Never again worry about the elements - these cameras are completely protected against contact and dust, and 100% water-proof. In fact, they are fully submersible in up to 1 meter of water.

Vandalproof – Outdoor models feature a rugged aluminum die-cast housing to provide increased protection against accidental impact or vandalism.



For order assistance, questions and inquiries, please contact one of our sales consultants at: 1-877-5SC-BLACK or through email at sales@sc-black.com, or please feel free to browse our website at www.sc-black.com.

SC Black is a registered trademark of Supercircuits. Copyright © 2008 Supercircuits, Inc. All rights reserved. www.sc-black.com