

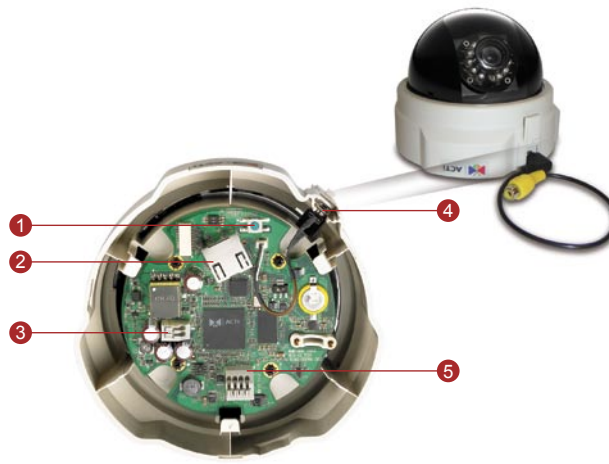


ACM-3311

IP IR 3-inch Dome Camera

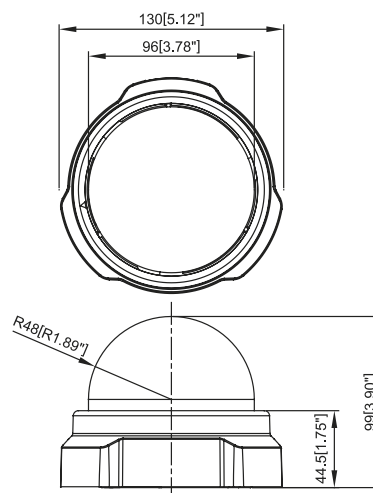


- 1/3" Sony Super HAD CCD
- Integrated f4.3 mm / F2.0 fixed lens
- 0 Lux (IR LED ON)
- Selectable MPEG-4 SP / MJPEG compression
- CIF up to Full D1 resolution at 30/25 FPS
- Selectable MPEG-4 SP / MJPEG compression
- Multi-stream with variable frame rate in the same compression
- Backlight Compensation, Auto White Balance supported
- Two-way audio supported
- Hardware motion detection
- Hybrid analog and ethernet video output with 420 TV lines
- DC 12V or Power over Ethernet (IEEE 802.3af) supported
- Surface / Pendant / Wall / Corner / Pole / Flush mount supported



- | | |
|----------------------|------------------------|
| 1 Reset Button | 4 Analog Video Output |
| 2 Ethernet Port | 5 Audio Input / Output |
| 3 DC 12V Power Input | |

DIMENSION DIAGRAM



Unit: mm [inch]



PRODUCT SPECIFICATION

		ACM-3311
Image	Device	SONY Super HAD CCD
	Size	1/3 inch
	Effective Pixels	537 (H) x 505 (V) (NTSC); 537 (H) x 597 (V) (PAL)
	Horizontal Resolution	420 TVL
Min. Scene Illumination	Color	Color mode automatically switched to B/W mode under 4 Lux
	B/W	0 Lux (IR LED ON)
	IR Sensitivity	from 700 nm to 1100 nm
	IR LED	IR LED x12 (850 nm)
	CDS Sensor	Yes
	IR Working Distance	10 M (30 IRE)
Lens	Focal Length	f4.3 mm / F2.0
	Viewing Angle	62.3° (Horizontal)
Camera Angle Adjustment	X (Panning)	0° ~ 170°
	Y (Tilting)	0° ~ 90°
Synchronization	Sync. System	Internal
Day/Night Functions	Mechanical IR Cut Filter	N/A
Functions	Motion Detection	Yes (3 windows)
	Electronic shutter	1/60 ~ 1/100,000 sec. (NTSC) 1/50 ~ 1/100,000 sec. (PAL)
	BLC	Automatic
	AGC	Automatic
	White Balance	AWB
S/N Ratio	S/N Ratio	Better than 48 dB
Video Compression	Compression	MPEG-4 SP, MJPEG selectable
	Picture Resolution	Full D1 (720 x 480 in NTSC, 720 x 576 in PAL) VGA (640 x 480 in NTSC, 640 x 480 in PAL) CIF (352 x 240 in NTSC, 352 x 288 in PAL) QCIF (160x112 in NTSC, 176 x 144 in PAL)
	Bit Rate	28 K ~ 3 M bps
	Image Frame Rate	30 fps at full D1 resolution (NTSC); 25 fps at full D1 resolution (PAL)
Video Output	Composite Output	CVBS, 1.0Vp-p with 75 Ω loading, 3.5 mm Phone Jack
Audio Input	Compression	8 kHz, Mono, PCM
	Audio Line Input	Unbalanced, 1.4Vp-p, 1Vrms, terminal block
Audio Output	Compression	8 kHz, Mono, PCM
	Audio Line Output	Unbalanced, 1.4Vp-p, 1Vrms, terminal block
External I/O	Reset Button	Factory default
Casing	Mount Types	Surface / Pendant* / Wall* / Corner* / Pole* / Flush*
Network	Ethernet Port	Ethernet(10/100Base-T), RJ-45 connector
	Protocol	TCP, UDP, HTTP, HTTPS, DHCP, PPPoE, RTP, RTSP, DNS, DDNS, NTP, ICMP, ARP, IGMP, SMTP, FTP, UPnP
Software	Web Browser	Microsoft Internet Explorer 6.0 or above
	SDK	ACTi SDK-10000
Operating	Security	Password protection: configured by the administrator
	Temperature	-10 °C ~ 50 °C (14 °F ~ 122 °F)
Power	Power Requirement	PoE (IEEE802.3af) with Class 3
	Power Consumption	5.6 W (DC 12V) w/ IR ON 6.9 W (PoE) w/ IR ON
Physical	Dimensions (ØxL)	130 mm X 99 mm (5.12" x 3.90")
	Weight	350 g (0.7 lb)
Approvals	Certificate	CE, FCC

MODEL SELECTION

Model Name	NTSC	PAL
ACM-3311N	V	
ACM-3311P		V

ACCESSORY OPTIONS

Dome Cover

- Transparent Cover PDCX-0002
- Smoke Cover PDCX-0101

Mount Kit

- Mount Kit PMAX-0101
- L Type Wall Mount Kit PMAX-0308
- Flush Mount Kit PMAX-1006
- Gang Box Converter PMAX-0801

Mount Configuration*

- Pendant Mount
- Wall Mount
- Corner Mount
- Pole Mount
- Flush Mount

*Sold separately. Please refer to detailed mounting configuration table in the accessory section or Project Planner on ACTi.com